

Invitation for additional Optional Tour of 7<sup>th</sup> Asian DME Conference to introduce the DME Filling System and the Interface between DME filling equipment and DME Vehicle in Japan

### **Notice for the Special Event at Yokohama after 7<sup>th</sup> Asian DME Conference about the DME Filling for DME Vehicles**

These days DME Vehicles are being studied independently by each country for practical use. For the early introduction of DME Vehicles, various standardizations regarding the DME Vehicles and infrastructure for DME Vehicles are necessary. One such requirement is the standardization of the DME filling interface for DME Vehicles as an essentially important item to introduce DME Vehicles in the market.

It is required to set up the standardization of DME filling interface for DME Vehicles to enable all range of DME vehicles, from small size to large ones, to be filled safely and properly with DME fuel.

It is required to set up the different standardization of filling interface for DME Vehicles from that used for LPG Vehicles to prevent miss-filling, because the DME filling station system is similar to LPG filling stations due to the same type of gas fuel.

It is very important to set up the proper standardization of DME filling interface for DME Vehicles from the beginning of the introduction of DME Vehicles, as it is difficult to re-adjust the improper standardization after it has been installed.

It is considered to become easier to import and export DME Vehicles when the standardization of DME filling interface for DME Vehicles becomes common throughout the world. As the result of such common standardization, it also becomes easier to promote eco-friendly DME Vehicles internationally.

**We, Bio-DME & DMEVPC planned this Special Event related to the above mentioned issue.**

**Content of the Special Event is as follows.**

1. Demonstration at Yokohama Liquefied Gas Terminal (YLT)
  - two types of DME filling system
    - High-speed DME filling system for DME heavy duty trucks
    - New type of pressurized filling system for small size DME Vehicles
  - The common coupling nozzle with DME filling interface to enable pressurized and pressure balanced filling system
  - Demonstration of high-speed DME filling for medium duty truck

2. Open-discussion about DME filling system and the standardization of DME filling interface at a place to be determined in Yokohama

We, BioDME&DMEVPC have scheduled the Special Event at Yokohama as an additional option of 7<sup>th</sup> Asian DME Conference, following the end of the the Conference.

Welcome all people who are interested in this event.

Schedule of Demonstration and Open-Discussion with Dinner (Free).

Date: **Sat. Nov. 19. 13:00pm – 17:00pm**

Meeting place and time :

Please gather in front of the ticket-gate of the East Exit of Turumi Station (JR Keihin-Tohoku Line) by 12:30pm.

We will be waiting with DME Red Flag.

We will go by bus to the place of the Special Event.



**DME Red Flag**

Special Event Place: **Yokohama Liquefied Gas Terminal (YLT)**

Some Hotel (not yet fixed) at Yokohama for the open-discussion

Please apply for this optional event by e-mail by Sep 30, 2011.

We will directly inform each applicant of the details of the event accordingly.

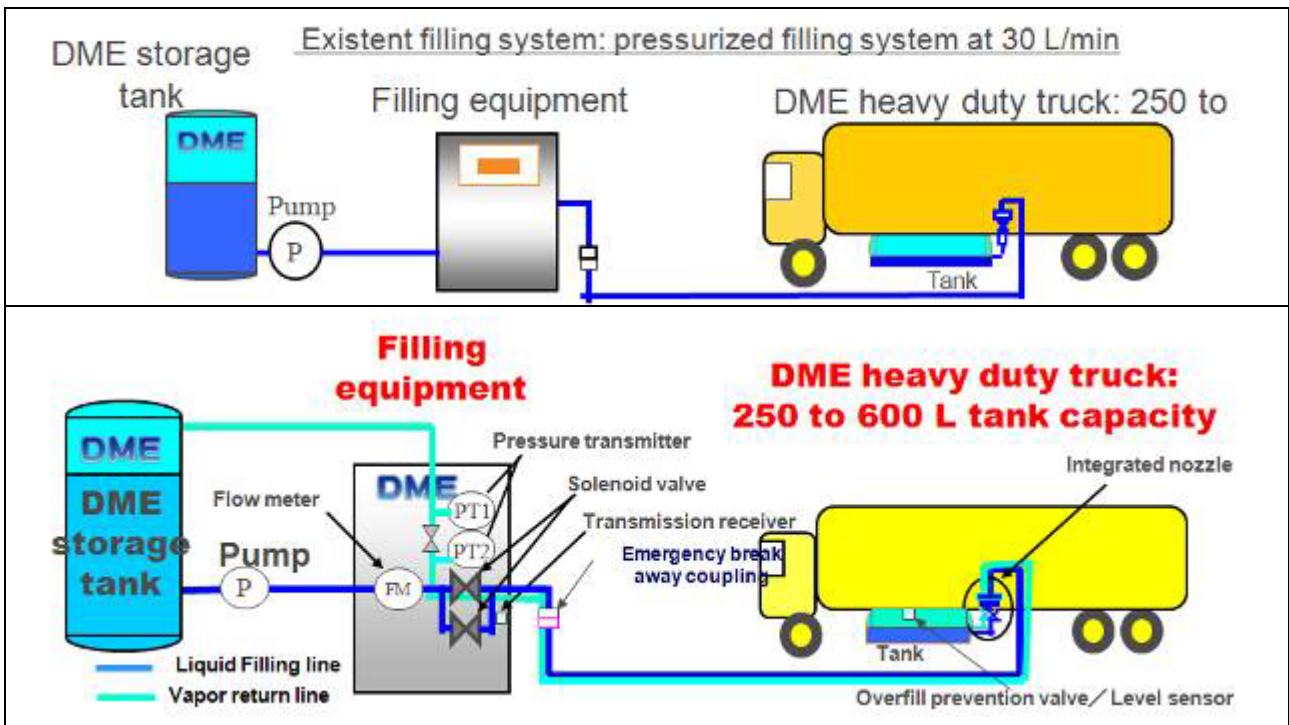
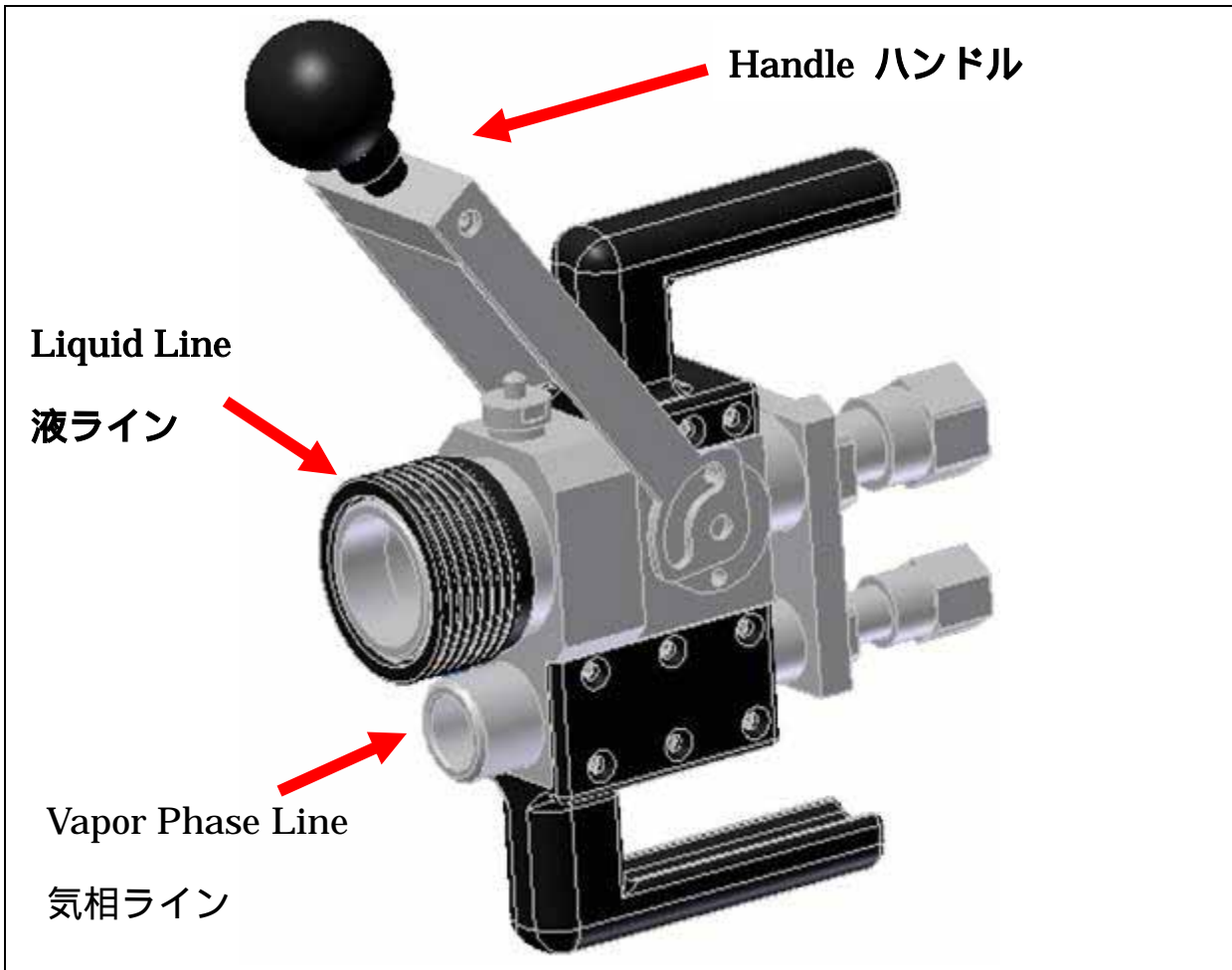
**I look forward the opportunity of meeting all of you.**

**Bio-DME & DME Vehicle Promotion Committee**  
**(Bio-DME & DMEVPC)**

**Chairman Koji Sakuma**

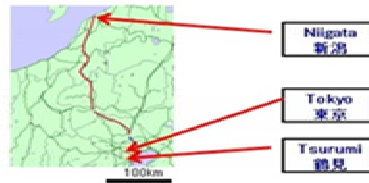
[Postmaster@dme-vehicle.org](mailto:Postmaster@dme-vehicle.org)

<http://dme-vehicle.org/>





土曜・休日	新潟 Niigata Departure	東京 Tokyo Arrival	東京 Tokyo Departure	鶴見 Tsurumi Arrival	新潟 Niigata Departure	東京 Tokyo Arrival	東京 Tokyo Departure	鶴見 Tsurumi Arrival	新潟 Niigata Departure	東京 Tokyo Arrival	東京 Tokyo Departure	鶴見 Tsurumi Arrival
6:00									Shikansen MAX TOKI 312 6:28	→ 8:44	→ 11:33	→ 11:59
7:00	Shikansen MAX TOKI 304 7:01	→ 9:16	Keihin TOHOKU 11:33	→ 11:59	Shikansen TOKI 306 7:11	→ 9:32	Keihin TOHOKU 11:33	→ 11:59	Shikansen MAX TOKI 310 7:59	→ 9:55	→ 11:33	→ 11:59
8:00					Shikansen MAX TOKI 312 8:22	→ 10:28	Keihin TOHOKU 11:33	→ 11:59				
9:00					Shikansen MAX TOKI 316 9:11	→ 11:20	Keihin TOHOKU 11:33	→ 11:59				



postmaster@dme-vehicle.org

DME 自動車燃料充填実証試験イベント参加申込書

Application form

Notice for the Special Event at Yokohama after 7<sup>th</sup> Asian DME Conference about the  
DME Filling for DME Vehicles

氏名 Name	
組織名称 Organization	
住所 Address	
e-mail	
FAX	
希望する参加形態 チェックしてください。 The event that you want to participate in? Please Check!      ✓	
13:00 ~14:00 (YLT) デモンストレーション Demonstration	<input type="checkbox"/> Yes <input type="checkbox"/> Non
14:30~16:00 (HOTEL LIVEMAX) ミーティング Meeting (Q & A)	<input type="checkbox"/> Yes <input type="checkbox"/> Non
16:00~17:00(HOTEL LIVEMAX) ディナーを希望 Dinner	<input type="checkbox"/> Yes <input type="checkbox"/> Non

問合せ先 reference

一般社団法人DME自動車・バイオDME普及推進委員会

Bio-DME & DME Vehicle Promotion Committee

[postmaster@dme-vehicle.org](mailto:postmaster@dme-vehicle.org)

<http://www.dme-vehicle.org/>